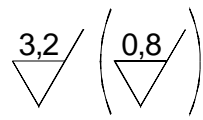
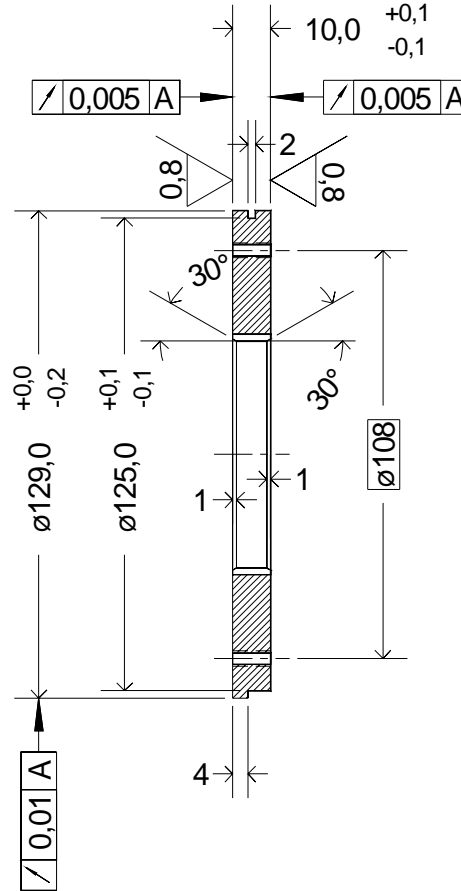
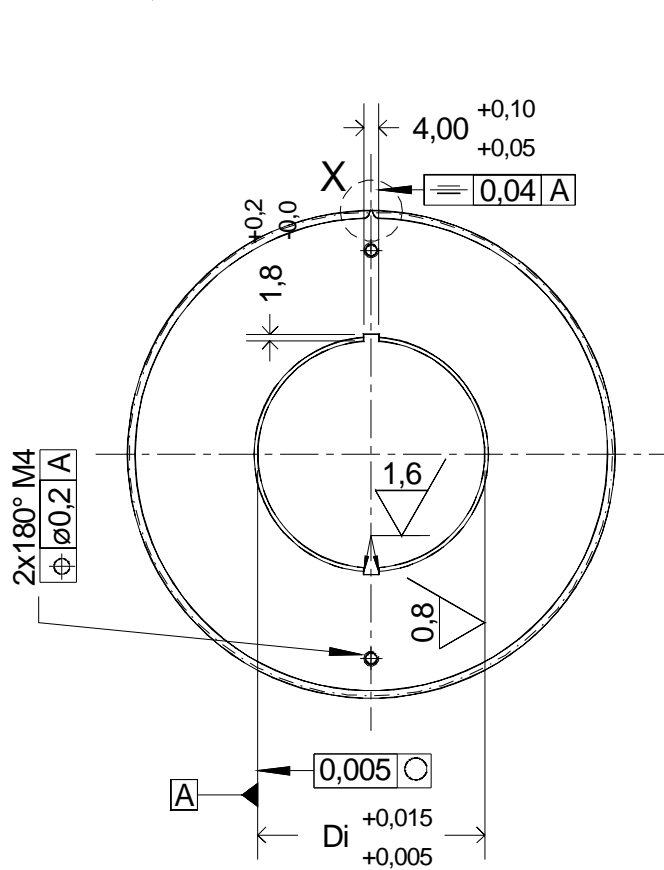


Detail X



Zahnrad Typ ZR5-256/Di Gear Wheel Type ZR5-256/Di

**Typenbezeichnung
Type Designation**

- ZR5-256/55 Di = 55mm
- ZR5-256/60 Di = 60mm
- ZR5-256/65 Di = 65mm
- ZR5-256/70 Di = 70mm
- ZR5-256/75 Di = 75mm
- ZR5-256/80 Di = 80mm
- ZR5-256/85 Di = 85mm
- ZR5-256/90 Di = 90mm
- ZR5-256/100 Di = 100mm

**Stirnrad nach DIN 3960
Spur Gear according DIN 3960**

Modul / Module M	0,5
Zähnezahl / Number of Teeth N	256
Eingriffswinkel / Pressure Angle	20°
Qualität u. Toleranzfeld / Quality	6h
Material	16MNCr5, 9SMn28K oder/or CK45

Material Stahl/Steel	Allgemeintoleranzen ISO 2768 - f	Dateiname ZR5-256	Datum 20.08.2009	Maßstab 1:2
VS Sensorik GmbH		ZR5-256/Di		
		06VS071702	Version 2	Blatt 1