

## Magnetic gear wheel encoder RGM2 series

### Order identifiers - overview

Analog output signals SIN, COS & Ref.

RGM2G - A - □□□ - □□□/P □□□ - □

... Standard version

RGM2G - A - □□□ - □□□/T □□□ - □

... Standard version  
... With modified cable configuration

RGM2T - A - □□□ - □□□/T □□□ - □

... Increased working temperature up to 120°C  
... With modified cable configuration

RGM2S - A - □□□ - □□□/T □□□ - □

... With mounting base  
... Compatible with SIZAG sensor (SIEMENS)  
... With modified cable configuration

RGM2G - A - □□□ - □□□/T □□□ - **DM**

... With 17-pin flange socket on mounting base  
... With modified cable configuration

RGM2G - **AS** - □□□ - □□□/P □□□ - □

RGM2S - **AS** - □□□ - □□□/T □□□ - □

RGM2T - **AS** - □□□ - □□□/T □□□ - □

RGM2S - **AS** - □□□ - □□□/T □□□ - □

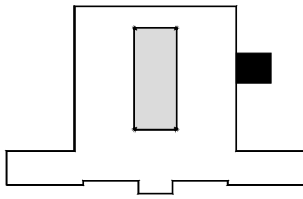
RGM2G - **AS** - □□□ - □□□/T □□□ - **DM**

... With activated amplitude stabilisation

Digital output signals according to RS432 (TTL)

RGM2G - **D**□ - □□□ - □□□/P□□□ - □

... Standard version  
... With integrated interpolation electronics



## Magnetic gear wheel encoder RGM2 series Order identifiers - overview

Analog output signals SIN, COS & Ref.

RGM2G - A - □□□ - □□□/SP □□□ - □

... Standard version

RGM2G - A - □□□ - □□□/ST □□□ - □

... Standard version  
... With modified cable configuration

RGM2T - A - □□□ - □□□/ST □□□ - □

... Increased working temperature up to 120°C  
... With modified cable configuration

RGM2S - A - □□□ - □□□/ST □□□ - □

... With mounting base  
... Compatible with SIZAG sensor (SIEMENS)  
... With modified cable configuration

RGM2G - A - □□□ - □□□/ST □□□ - DM

... With 17-pin flange socket on mounting base  
... With modified cable configuration

RGM2G - AS - □□□ - □□□/SP □□□ - □

RGM2S - AS - □□□ - □□□/ST □□□ - □

RGM2T - AS - □□□ - □□□/ST □□□ - □

RGM2S - AS - □□□ - □□□/ST □□□ - □

RGM2G - AS - □□□ - □□□/ST □□□ - DM

... With activated amplitude stabilisation

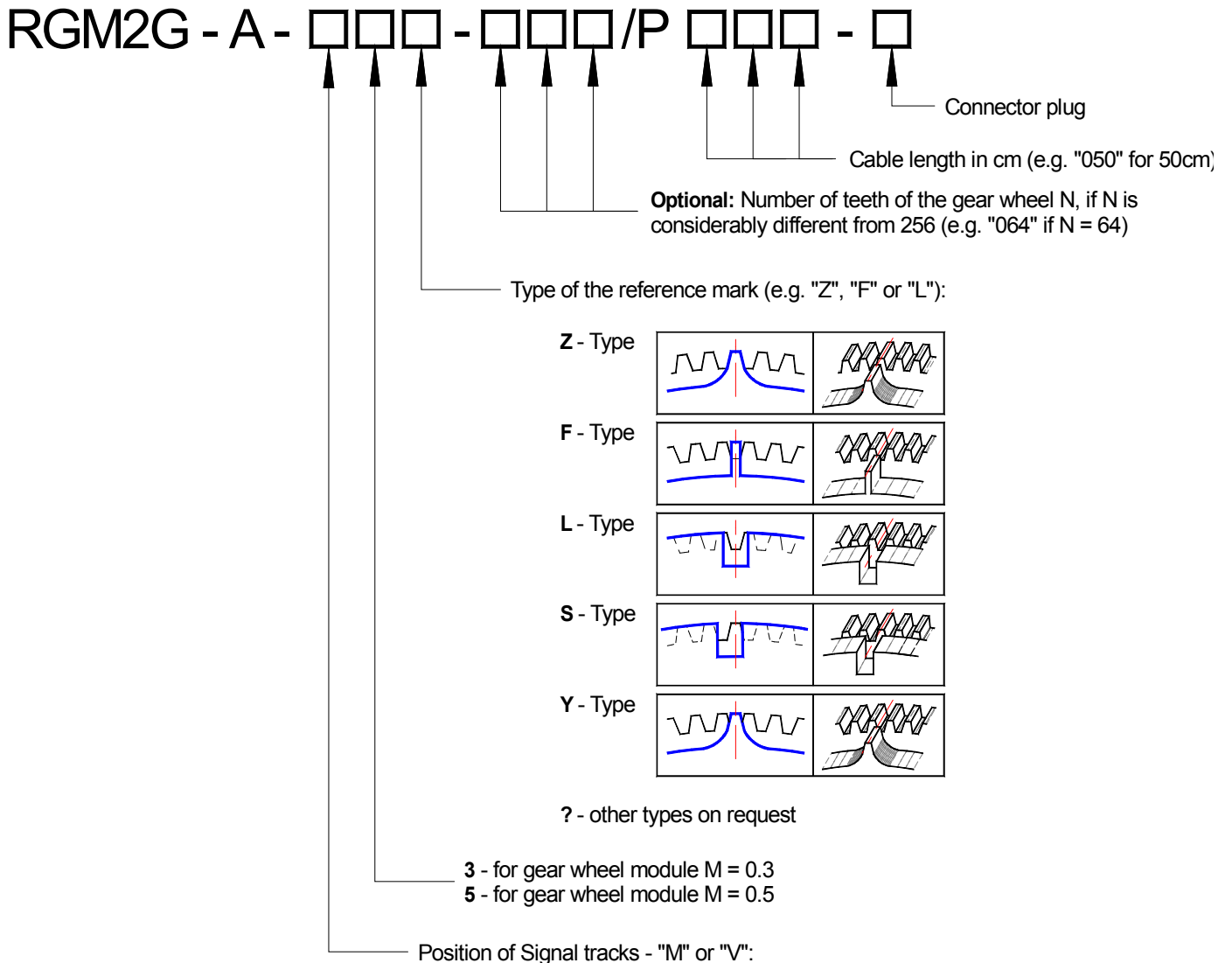
Digital output signals according to RS432 (TTL)

RGM2G - D□ - □□□ - □□□/SP□□□ - □

... Standard version  
... With integrated interpolation electronics

# Magnetic gear wheel encoder RGM2G-A

## Order identifiers - Standard version



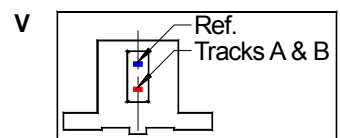
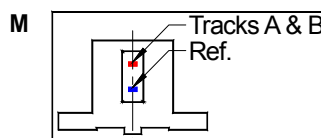
### Accessories

Measuring gear wheels: **ZR3-256/Di** or **ZR5-256/Di**  
Other types of gear wheels on request.

**External interpolation box** for the digitalisation and interpolation of the analogue encoder signals

**PB-RGMA-USB** box with **SPB-RGMA-USB** software for the fine alignment of encoder signals via the I2C-interface

Digital calibration and measurement unit **DCMU** for the visualisation, detailed analysis and fine alignment of the encoder signals.



# Magnetic gear wheel encoder RGM2G-A

## Order identifiers - Cable assignment

RGM2G - A - □□□ - □□□ / **P** □□□ - □

### Cable assignment

On the output of the encoder is a screened cable with 9 wires AWG28. The cable is assigned as follows:

■ Signal A +	brown
■ Signal A -	green
■ Signal B +	grey
■ Signal B -	orange
■ Signal Ref +	red
■ Signal Ref -	black
■ UB = 5VDC	violet
■ GND (0V)	yellow
■ RS_5V	blue

The **shield** is connected to the casing on the encoder side.

RGM2G - A - □□□ - □□□ / **T** □□□ - □

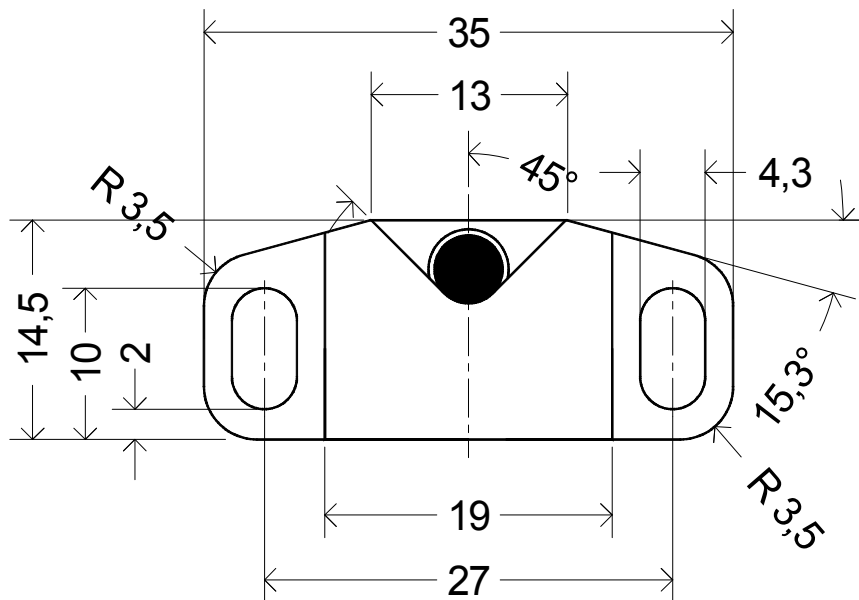
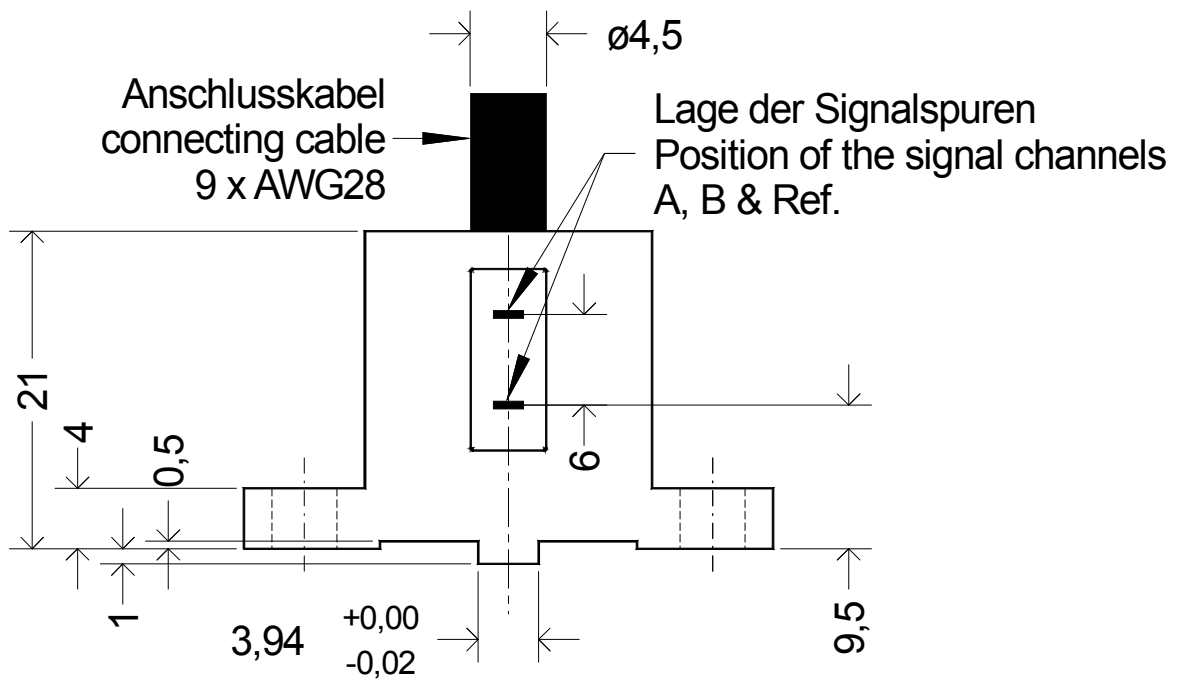
### Cable assignment

A shielded cable with 9 wires, AWG28, is attached at the sensor output. The outer sheath is green according to RAL6018, based on DESINA specifications.

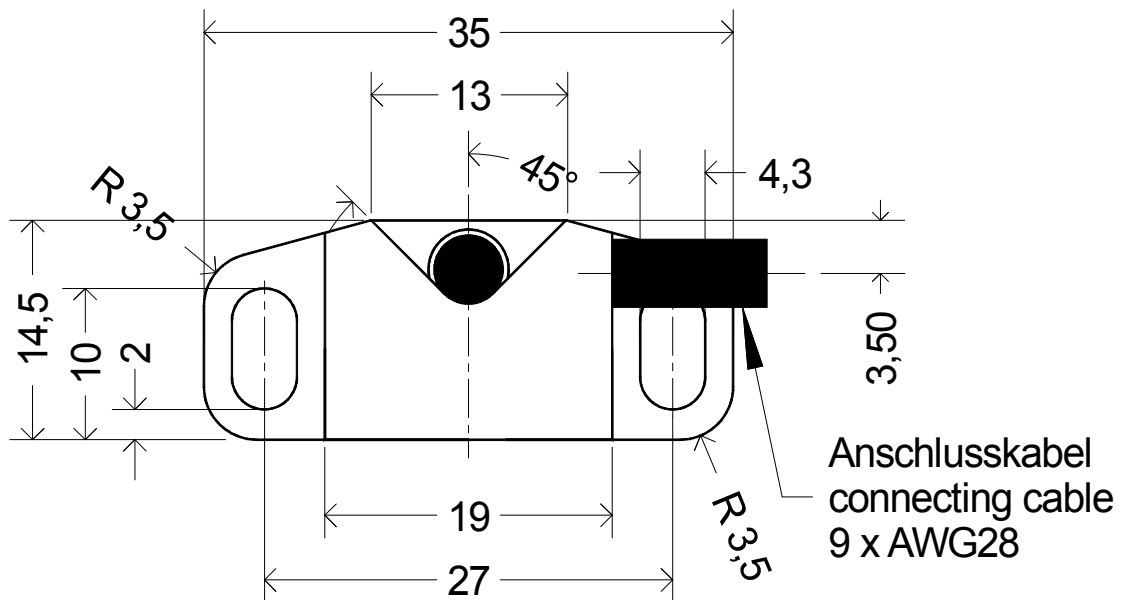
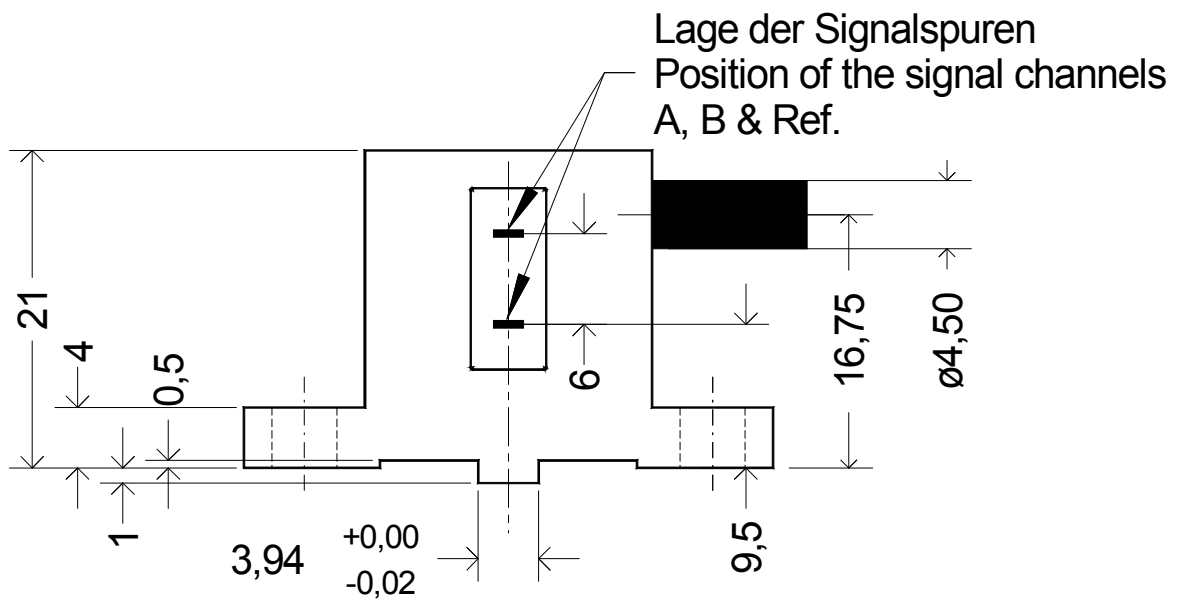
The cable is assigned as follows:

■ Signal A +	white
■ Signal A -	brown
■ Signal B +	pink
■ Signal B -	black
■ Signal Ref +	grey
■ Signal Ref -	yellow
■ UB = 5VDC	red
■ GND (0V)	blue
■ RS_5V	green

The **shield** is connected to the casing on the encoder side.



Material	Allgemeintoleranzen	Dateiname RGM_ax	Datum 27.10.09	Maßstab 2:1
VS Sensorik GmbH		RGM2G-A ... /...		
		09VS042701	Version 1	Blatt 1



Material	Allgemeintoleranzen	Dateiname RGM_tan	Datum 27.09.2009	Maßstab 2:1
VS Sensorik GmbH		RGM2G.../S...		
		09VS091709	Version 1	Blatt 1